

# AUTOMATED PURGE VALVE

## Description

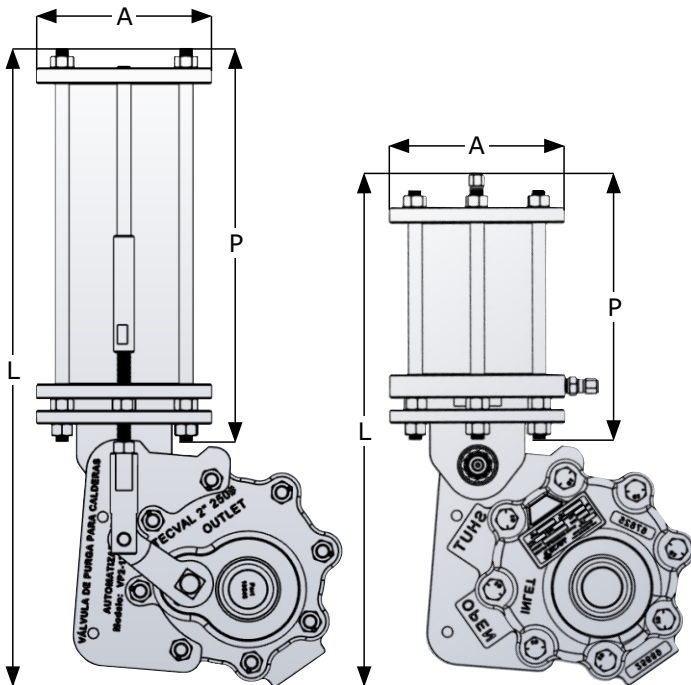
TECVAL's automated purge valve allows undissolved solids accumulated at the bottom of a boiler to be drained. It allows for automated control of TDS levels through remote action from a control room.

- ☒ Sizes: 1", 1¼", 1½", 2" and 2½".
- ☒ Double-acting actuator: minimum 30 psi and maximum 60 psi supply pressure.
- ☒ Single-acting actuator: minimum 50 psi and maximum 60 psi supply pressure.
- ☒ ¼" pneumatic supply connection for actuators.

*\*Available in different sizes and operating conditions depending on your application. For more information contact us: [mercadeo@tecvalsas.com](mailto:mercadeo@tecvalsas.com)*



## Dimensions

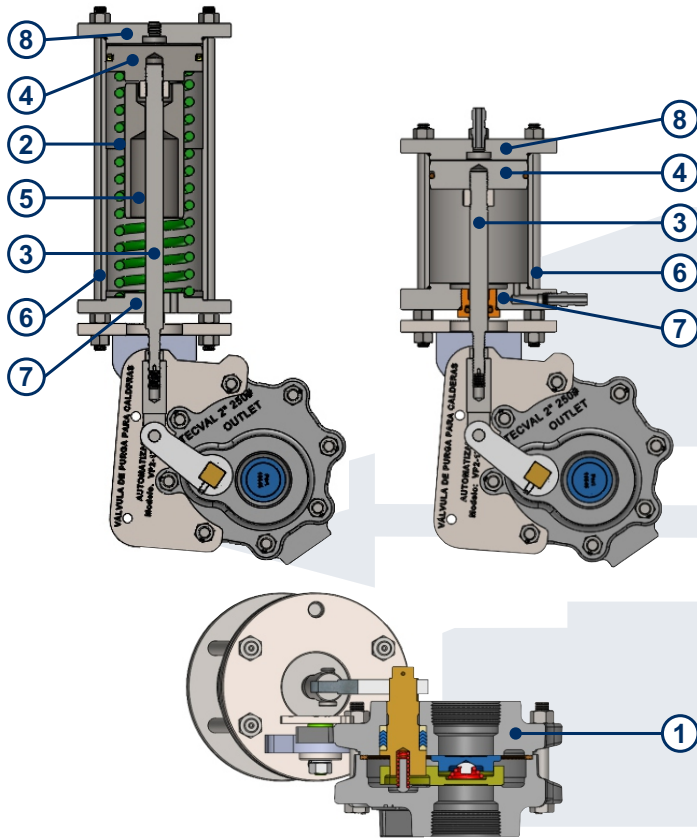


Single effect

Double effect

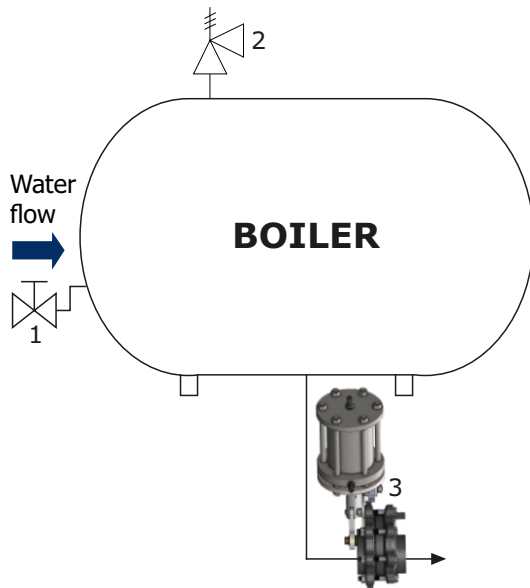
Item	Dimensions 2" (mm)	
	Single effect	Double effect
L	598	465
P	368	249
A	165	165

## Construction materials



Item	Description	Material	
		Single effect	Double effect
1	Purge valve	Cast iron Carbon steel	Cast iron Carbon steel
2	Spring	Carbon steel AISI 1070	N/A
3	Displacement axis	Stainless steel AISI 304	Stainless steel AISI 304
4	Piston	Aluminum	Aluminum
5	Stroke limiter	Aluminum	N/A
6	Tensor rod	Stainless steel	Stainless steel
5	Lower cover	Aluminum	Aluminum
6	Top cover	Aluminum	Aluminum

## Installation



1. Shut-off valve
2. Safety valve
3. Purge valve

Install the valve with appropriate thread sealant or flange gaskets. Improper use of this valve may result in damage or injury. If you have any questions, contact us for recommendations.